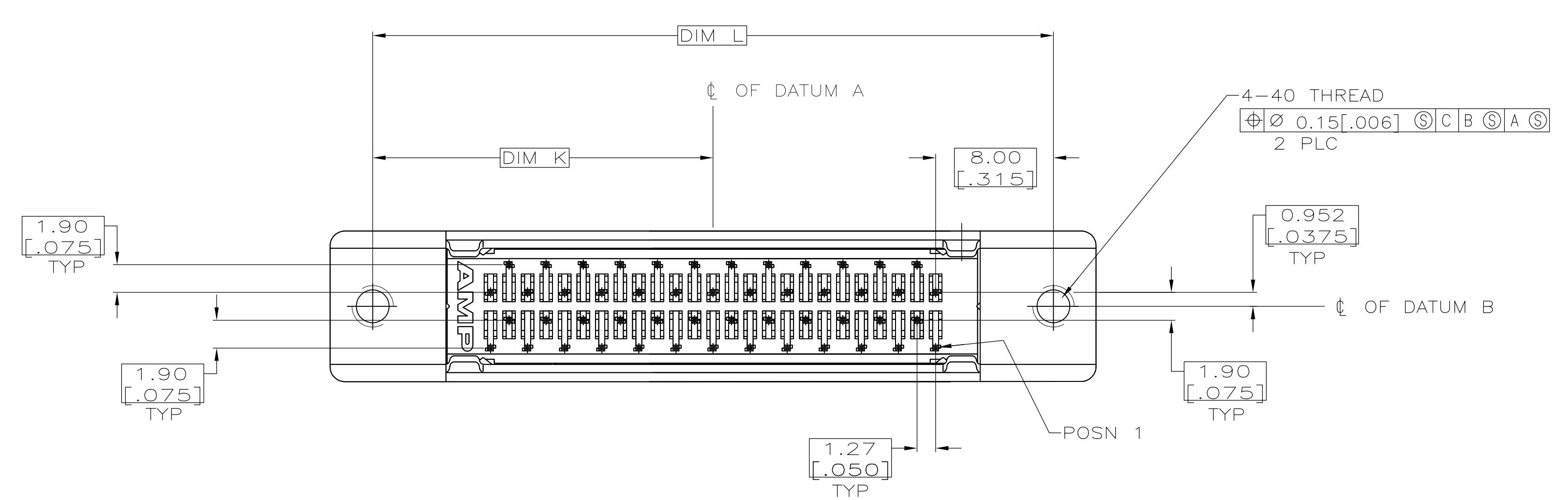


- 1 POSITION TOLERANCE APPLIES AT CONTACT TIP.
- 2 POSITION NUMBERS SHOWN FOR REFERENCE ONLY.
- 3 MATERIAL:  
HOUSING - POLYPHTHALAMIDE, BLACK, UL 94-VO RATED.  
SHELL - CARBON STEEL PER ASTM A109.  
CONTACTS - PHOSPHOR BRONZE PER QQ-B-750.  
BRACKET - ZINC.
- 4 FINISH:  
SHELL - 5.08µm [.000200] MIN NICKEL OVER 1.27µm [.000050] MIN COPPER.  
BRACKET - 3.81µm [.000150] MIN NICKEL OVER 5.08µm [.000200] MIN COPPER.  
CONTACTS - EITHER 0.76µm [.000030] MIN GOLD PLATE OR GOLD FLASH OVER PALLADIUM NICKEL PLATE, 0.76µm [.000030] MIN TOTAL, FOR A LENGTH OF 0.64 [.025] MIN, 0.13 [.005] MAX FROM MATING END, 1.27µm [.000050] MIN TIN-LEAD ON OPPOSITE END FOR A LENGTH OF 4.78 [.188] MIN, BOTH OVER 1.27µm [.000050] MIN NICKEL.
- 5 PC BOARD HOLE RECOMMENDATIONS:  
A. HOLES SHOULD BE DRILLED WITH A 0.701 [.0276] DRILL.  
B. PC BOARD PLATING TO BE 7.62µm [.000300] MIN TIN-LEAD OVER 0.025-0.038 [.0010-.0015] COPPER.  
C. RECOMMENDED HOLE SIZE AFTER TIN-LEAD PLATING IS 0.56-0.66 [.022-.026].
- 6 OBSOLETE PART NUMBER.



PER DETAIL X	96.90 [3.815]	74.93 [2.950]	79.15 [3.116]	90.93 [3.580]	45.47 [1.790]	120	1-786555-0
PER DETAIL X	84.20 [3.315]	62.23 [2.450]	66.45 [2.616]	78.23 [3.080]	39.12 [1.540]	100	786555-9
PER DETAIL X	63.88 [2.515]	41.91 [1.650]	46.13 [1.816]	57.91 [2.280]	28.96 [1.140]	68	786555-7
PER DETAIL Y	52.45 [2.065]	30.48 [1.200]	34.70 [1.366]	46.48 [1.830]	23.24 [.915]	50	786555-5
PER DETAIL Y	37.21 [1.465]	15.24 [.600]	19.46 [.766]	31.24 [1.230]	15.62 [.615]	26	786555-2
PER DETAIL X	33.40 [1.315]	11.43 [.450]	15.65 [.616]	27.43 [1.080]	13.72 [.540]	20	786555-1
RECOMMENDED PCB MTG DIMENSIONS	R	P	N	L	K	NO OF POSN	PART NO

THIS DRAWING IS A CONTROLLED DOCUMENT.		DWN H MOLL 10-7-92	Tyco Electronics Corporation Harrisburg, PA 17105-3608
DIMENSIONS: mm [INCHES]		CHK R STONE 10-13-92	
TOLERANCES UNLESS OTHERWISE SPECIFIED:		APVD J ASSINI 10-16-92	NAME RECEPTACLE ASSEMBLY, SHIELDED, VERTICAL, FLAT TOP, ACTION PIN FOR .062 TO .093 THICK BD,
0 PLC ± -		PRODUCT SPEC 108-1228	
1 PLC ± -		APPLICATION SPEC 114-40029	SIZE CAGE CODE DRAWING NO RESTRICTED TO
2 PLC ± 0.13 [.005]		WEIGHT -	A1 00779 C=786555
3 PLC ± -		CUSTOMER DRAWING	SCALE 4:1 SHEET 1 OF 1 REV K
4 PLC ± -			
ANGLES ± -			
FINISH			